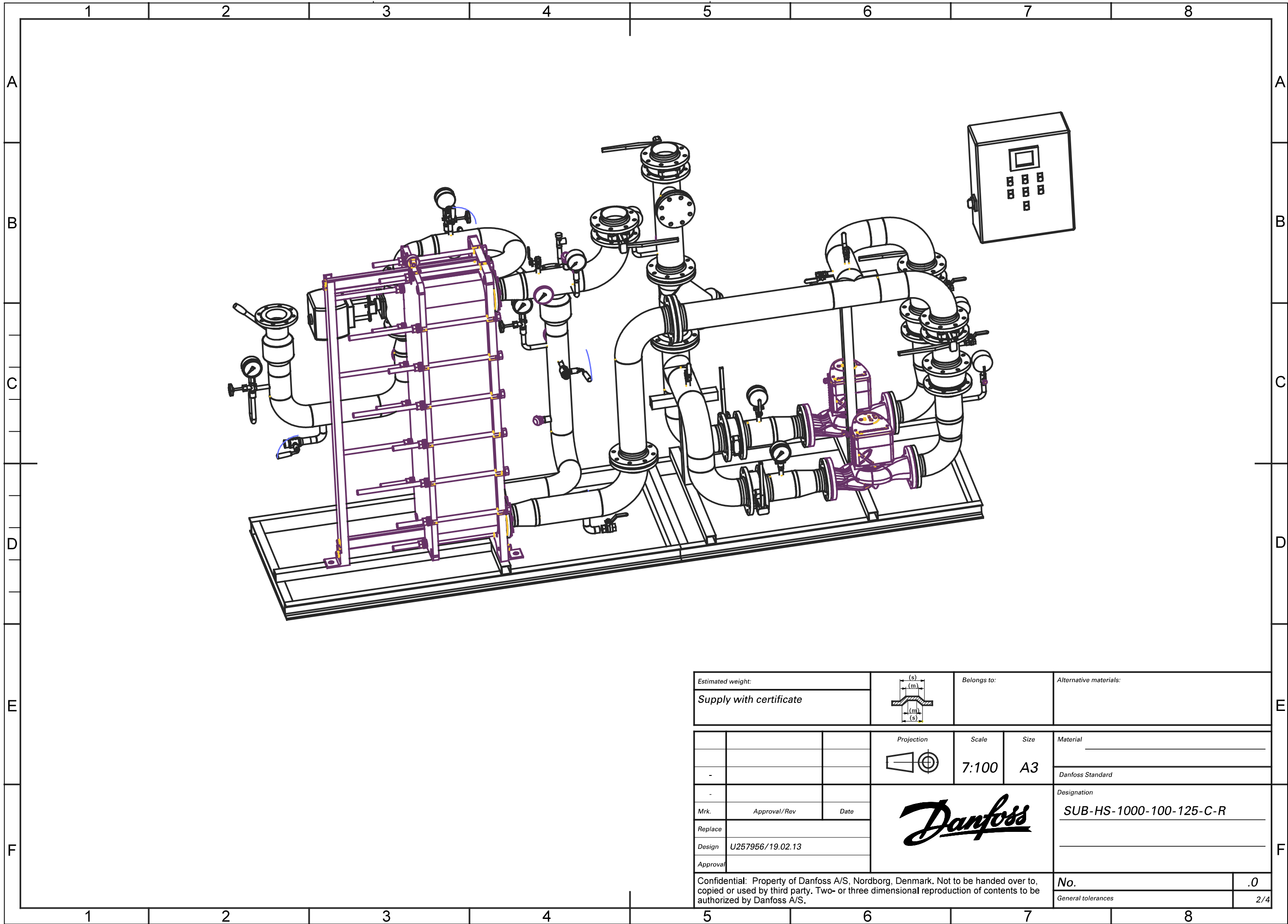
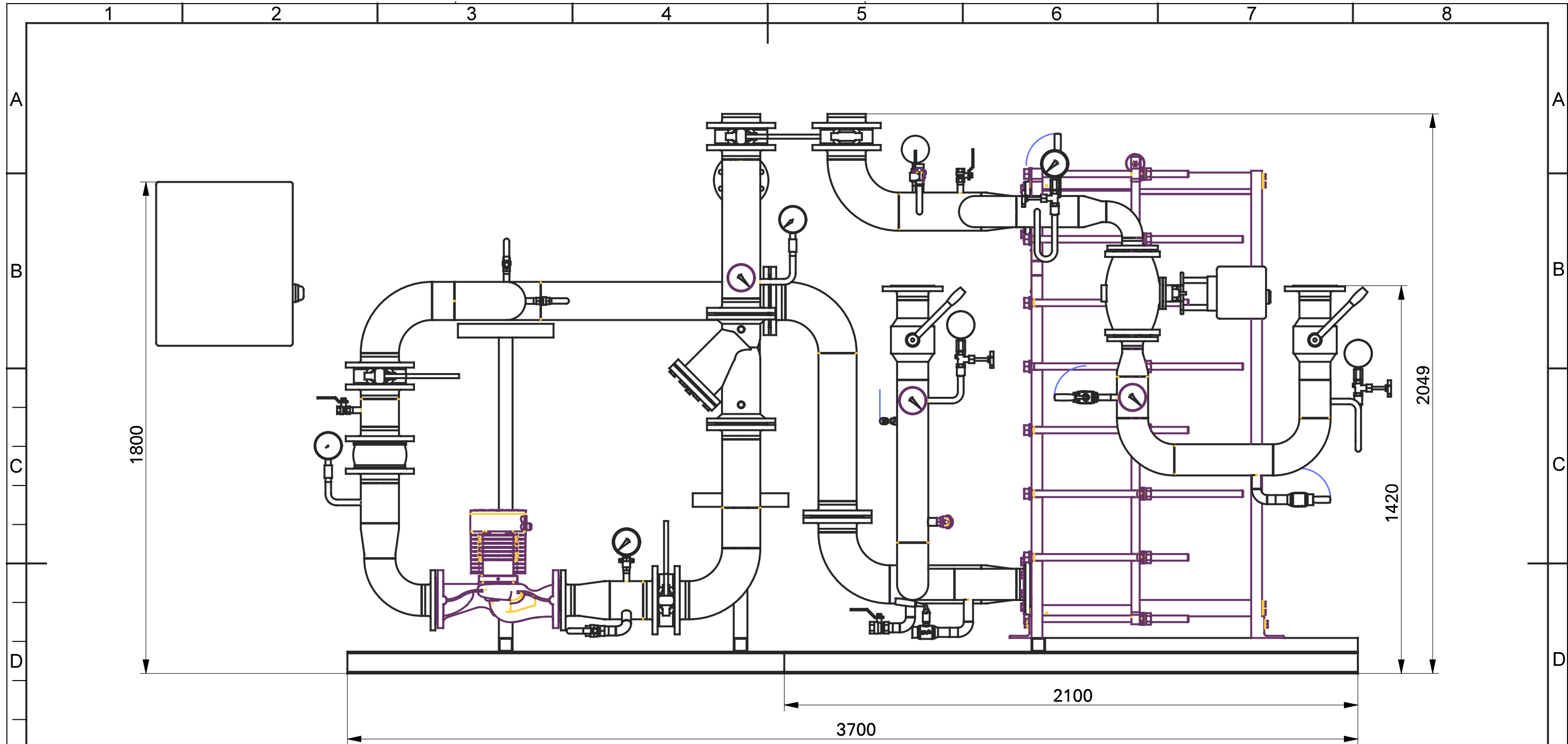


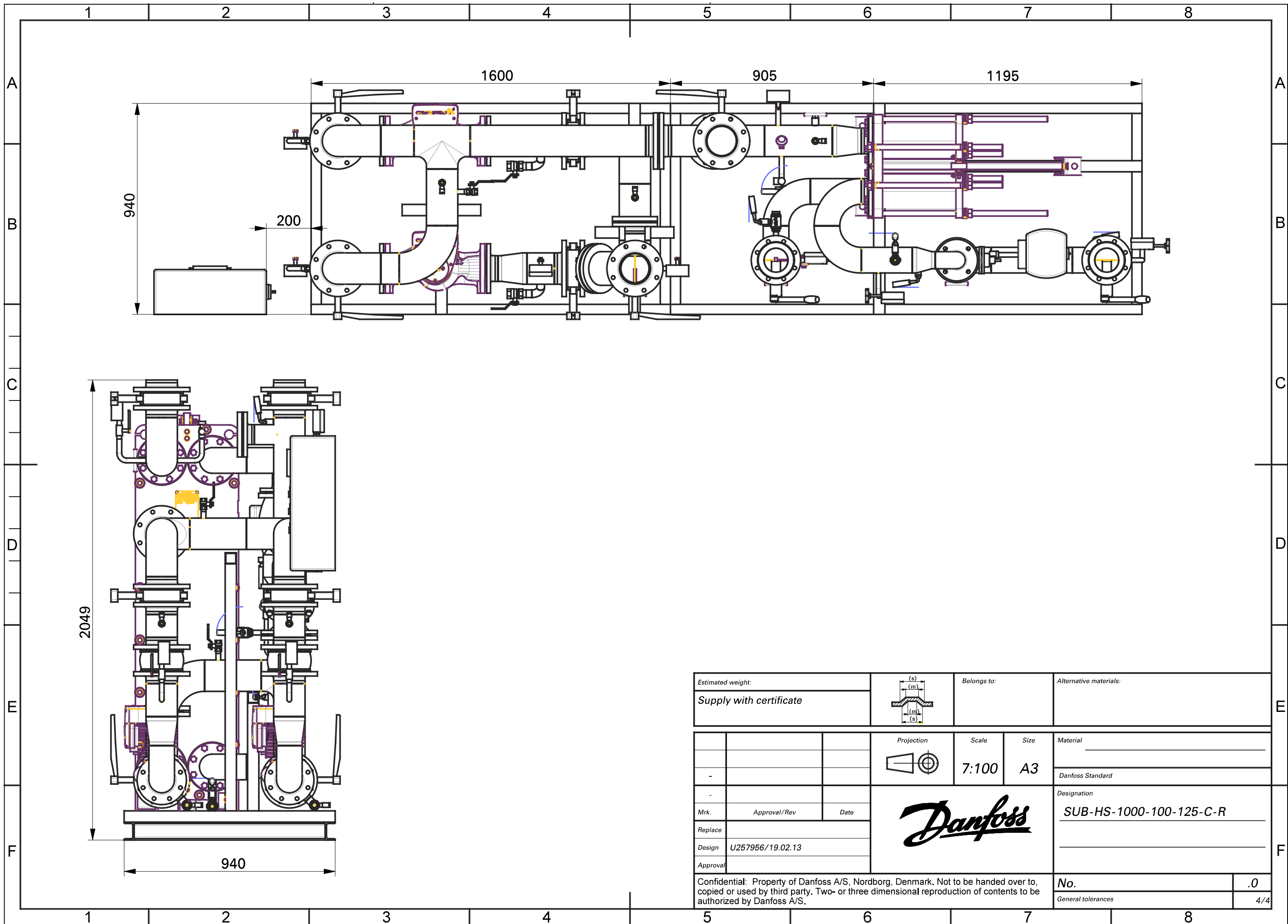
Estimated weight:			Belongs to:		Alternative materials:	
Supply with certificate						
		Projection	Scale	Size	Material	
			7:100	A3	Danfoss Standard	
Mrk.	Approval/Rev	Date				Designation
Replace						SUB-HS-1000-100-125-C-R
Design	U257956/19.02.13					
Approval						
Confidential: Property of Danfoss A/S, Nordborg, Denmark. Not to be handed over to, copied or used by third party. Two- or three dimensional reproduction of contents to be authorized by Danfoss A/S.					No.	.0
					General tolerances	1/4



Estimated weight:			Belongs to:		Alternative materials:		
Supply with certificate							
			Scale	Size	Material		
			7:100	A3	Danfoss Standard		
Mrk.	Approval/Rev	Date				Designation	
Replace						SUB-HS-1000-100-125-C-R	
Design	U257956/19.02.13						
Approval							
Confidential: Property of Danfoss A/S, Nordborg, Denmark. Not to be handed over to, copied or used by third party. Two- or three dimensional reproduction of contents to be authorized by Danfoss A/S.					No.	.0	
					General tolerances	2/4	



Estimated weight:			Belongs to:		Alternative materials:		
Supply with certificate							
		Projection	Scale	Size	Material		
			7:100	A3	Danfoss Standard		
Mrk.	Approval/Rev	Date				Designation	
Replace						SUB-HS-1000-100-125-C-R	
Design	U257956/19.02.13						
Approval							
Confidential: Property of Danfoss A/S, Nordborg, Denmark. Not to be handed over to, copied or used by third party. Two- or three dimensional reproduction of contents to be authorized by Danfoss A/S.					No.	.0	
					General tolerances	3/4	



Estimated weight:			Belongs to:		Alternative materials:		
Supply with certificate							
			Scale	Size	Material		
-			7:100	A3	Danfoss Standard		
Mrk.	Approval/Rev	Date				Designation	
Replace						SUB-HS-1000-100-125-C-R	
Design	U257956/19.02.13						
Approval							
Confidential: Property of Danfoss A/S, Nordborg, Denmark. Not to be handed over to, copied or used by third party. Two- or three dimensional reproduction of contents to be authorized by Danfoss A/S.						No.	.0
						General tolerances	4/4